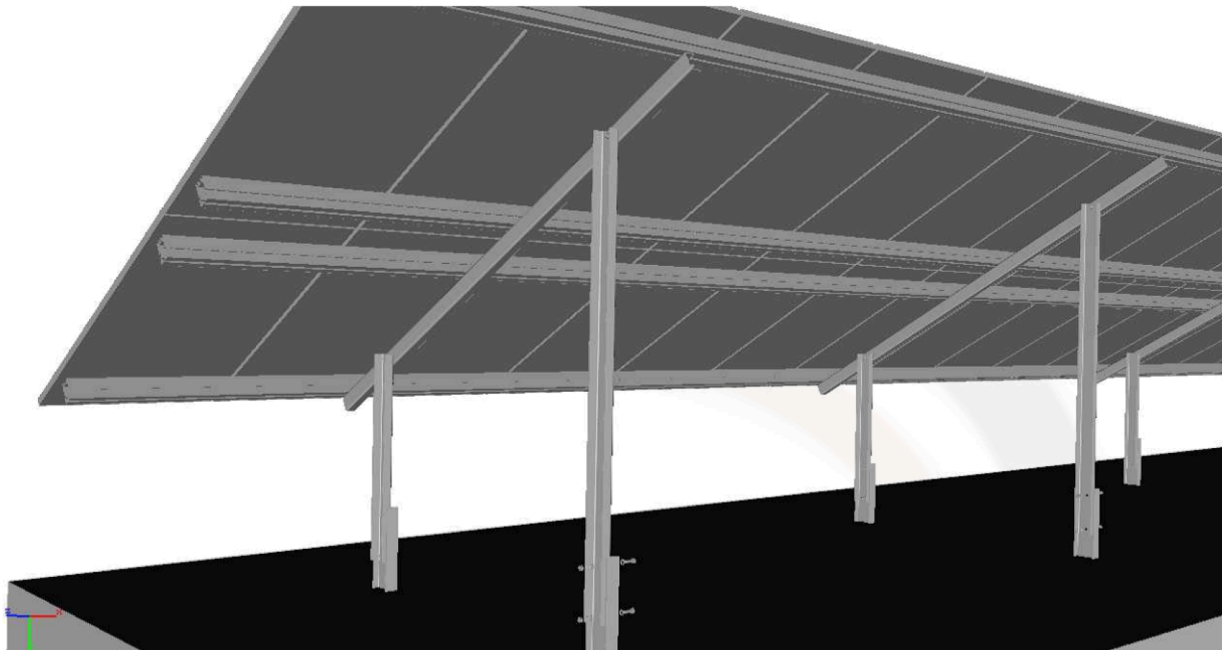
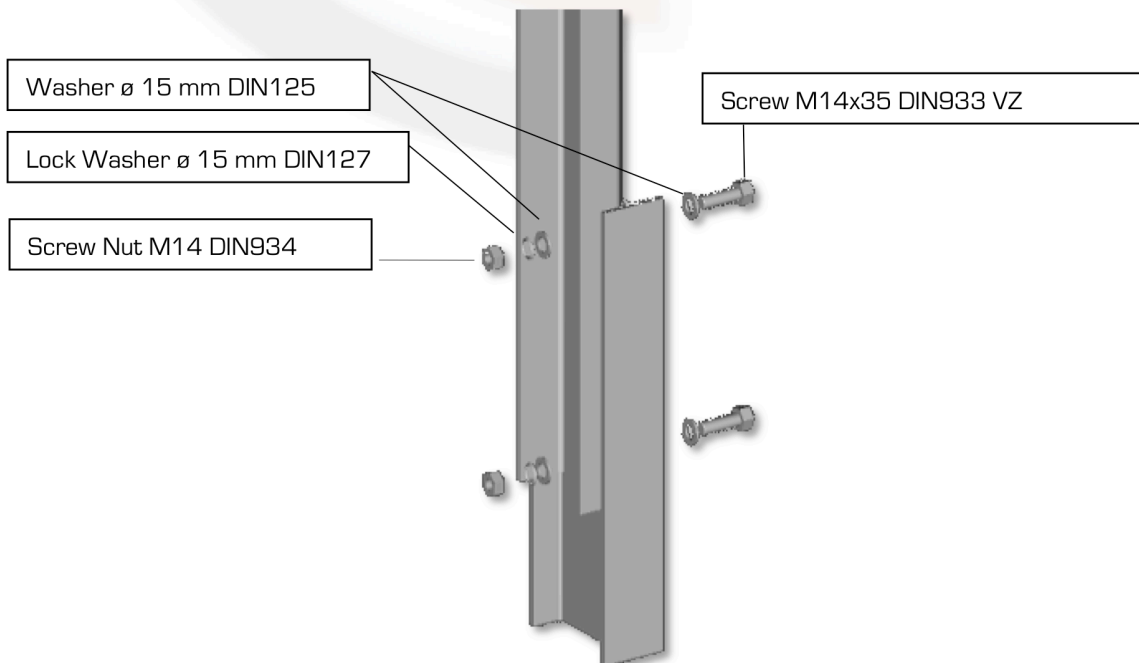
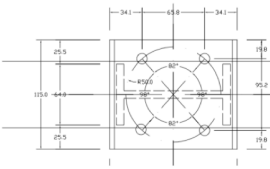


# EASY TRACK VZ DUO MOUNTING SYSTEM



Supporting frame and grounding pile: S235 galvanized  
 Cross rail: aluminium EN AW 6063 T66  
 Fitting material in connection with galvanized steel: galvanized 8.8 quality  
 Screws in connection with aluminium: stainless steel A-70 quality



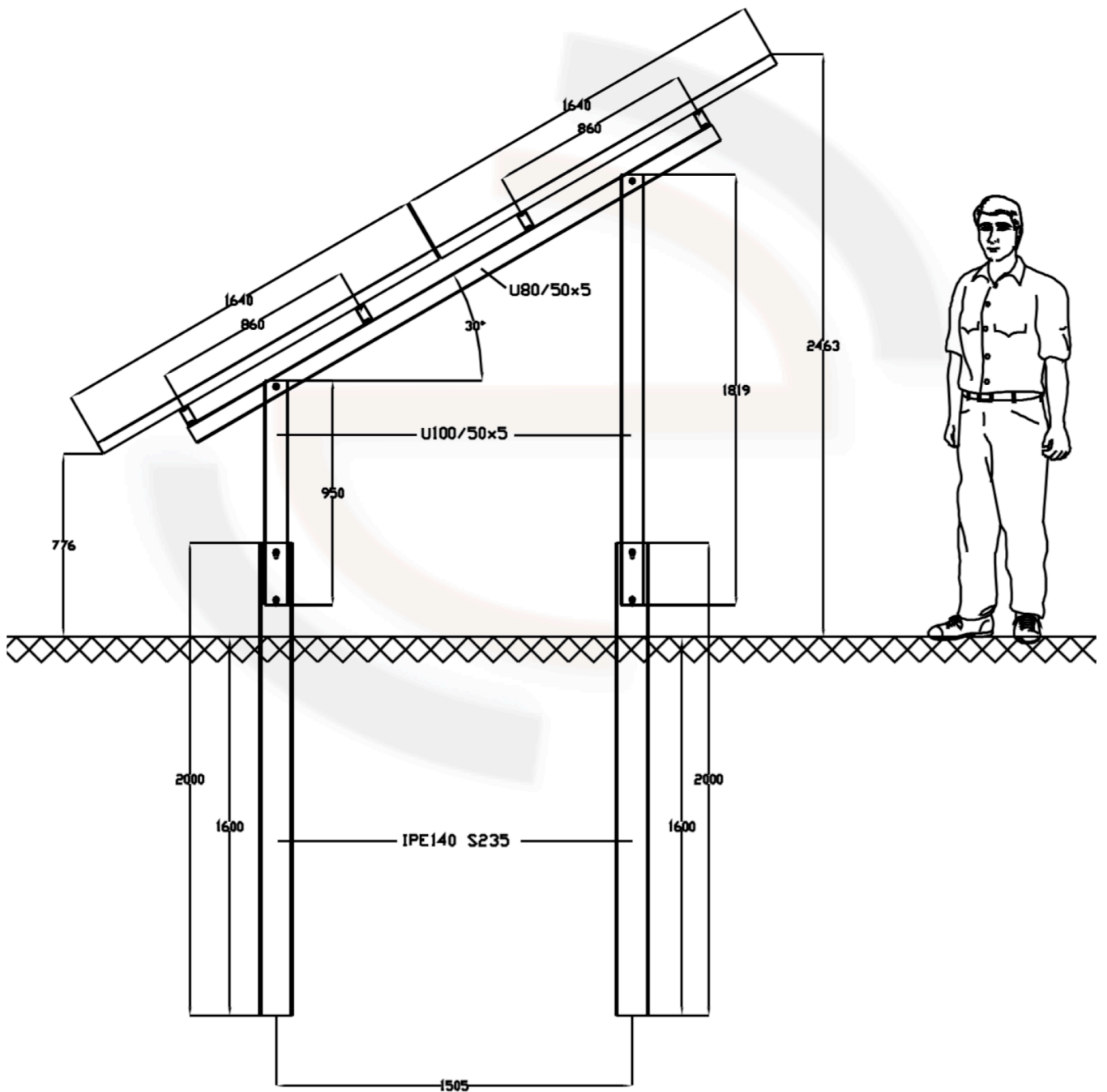


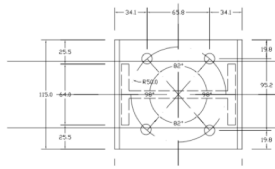
# EASY TRACK VZ DUO

## MOUNTING SYSTEM



Side view

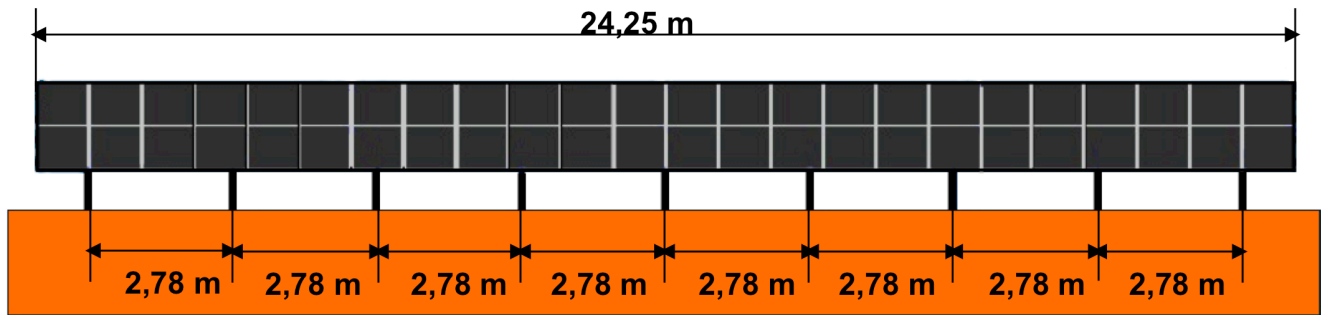




# EASY TRACK VZ DUO MOUNTING SYSTEM



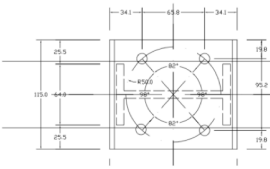
Sample 2x 24 modules



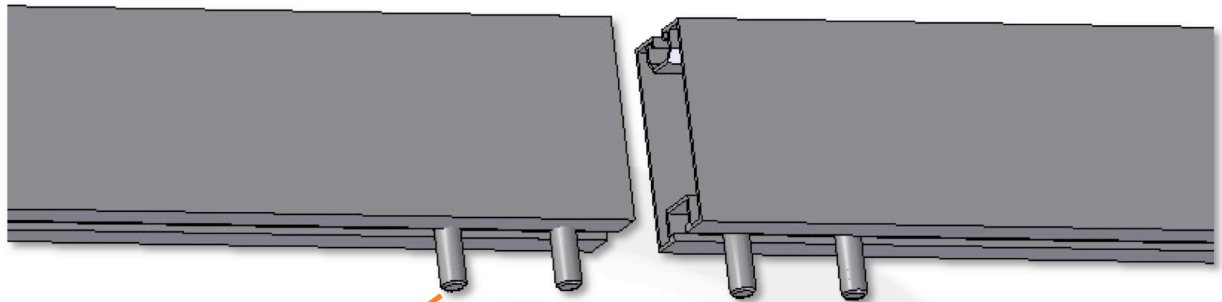
EN AW 6063 T66  
 $I_{xx}=488657 \text{ mm}^4$   
 $I_{yy}=149069 \text{ mm}^4$   
 $W_x=12065 \text{ mm}^3$   
 $W_y=7272 \text{ mm}^3$   
 mill finish



- M10x25 A2 Torque: 25 NM
- Washer  $\varnothing 10,5$  A2
- Serrated Lock Washer  $\varnothing 10,5$  A2
- Screw Nut M10 A4 Torque: 25 NM



# EASY TRACK V2 DUO MOUNTING SYSTEM



Schraube / Screw M10x25 V2A



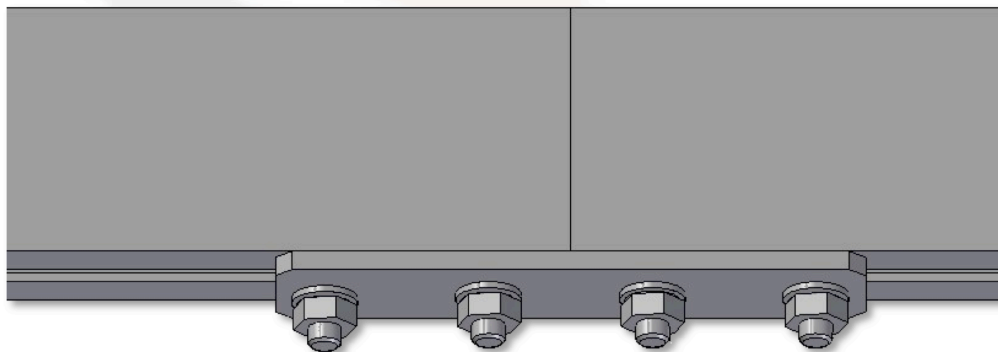
U-Scheibe / Washer  $\varnothing 10,5\text{mm}$  V2A

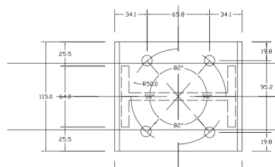
Sicherungsring / Serrated Lock

Washer  $\varnothing 10,5\text{mm}$  V2A



Mutter / Screw Nut M10 V4A





# EASY TRACK V2 DUO MOUNTING SYSTEM



## Technical informations

EASY TRACK	
Location of installation	the soil
Wind resistance	according to the conditions of the region and the individualized structural analysis
Snow load	according to the conditions of the region and the individualized structural analysis
Placement of the modules	in a row with the possibility of standing or lying
Arrangement of the modules/slope of incline/ Distance of the lower module edge from the ground	flexible
Spacing of the supports	according to the structural requirements
Norms	DIN 1055 - the influence on the carrier system EUROCODE 9 part 1.1. - the lay-out and construction of the aluminum carrier systems
Material	the construction profile and module clamps – extruded aluminum EN AW-6063 T66, and other parts from the galvanized steel.
Color	mill finish
Protection against corrosion	all parts have a zinc layer of at minimum 80ym in thickness according to the DIN/EN ISO 1464/14712
Warranty	Two-year warranty and five-year guarantee for the product's characteristics

### HiProm Group

Phone. +49.9464.951992

Fax. +49.9464.9110094

info@hi-prom.de

www.hi-prom.de

Facebook: www.facebook.com/hiprom

